

Pre-Rinse Fittings

Product Type

Deck Mounted Single Hole Pre-Rinse Fitting with 613-A Adapta-Faucet

Features & Specifications

- Single Hole
- 1.0 GPM @ 60 PSI Spray Valve
- 2-3/8" Lever Handle
- Quatern Compression Operating Cartridge
- Secondary Control Valve
 - 9-1/2" L Type Swing Spout
 - Full Flow Outlet
 - 2-3/8" Lever Handle
 - Quatern Compression Operating Cartridge
- 3 1/2" Inlet Tee Connection with 1/4" NPT Check Stop

Tailpieces

- 23" Riser with Spring Guide
- 44" Flexible Stainless Steel Hose
- Pipe Strap and Hook Assembly

Performance Specification

- Rated Operating Pressure: 20-125 PSI
- Rated Operating Temperature: 40-140°F

Warranty

- Lifetime Limited Faucet Warranty
- 5-Year Limited Cartridge Warranty
- 1-Year Limited Finish Warranty

Codes & Standards

- ASME A112.18.1/CSA B125.1
- Certified to NSF/ANSI 61, Section 9 by CSA

Job Name _____

Item Number _____

Section/Tag _____

Model Specified _____

Architect _____

Engineer _____

Contractor _____

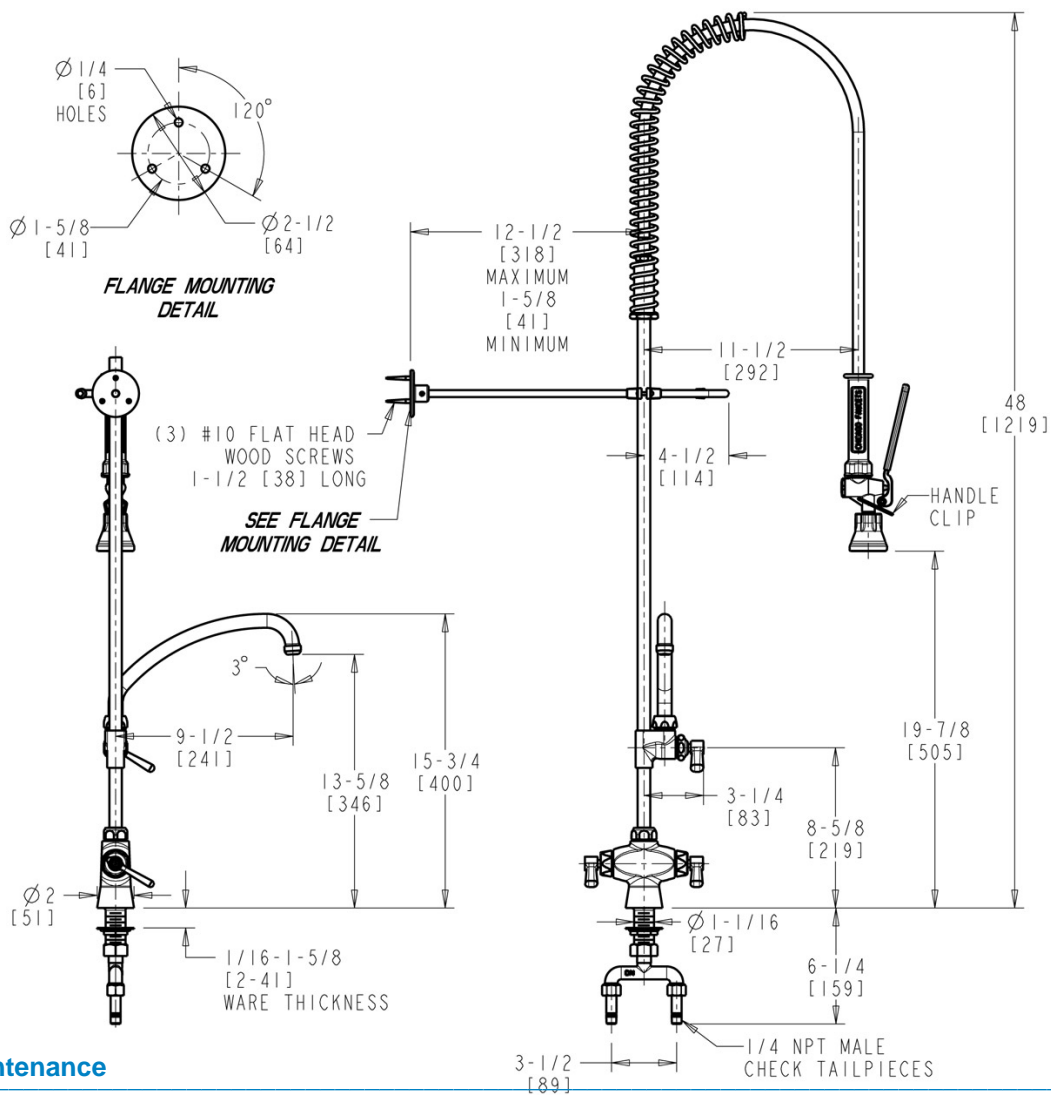
Submitted as Shown Submitted with Variations

Date _____



Architect/Engineer Specification

Chicago Faucets No. 919-L613ACP, Deck Mounted Single Hole Pre-Rinse Fitting with 613-A Adapta-Faucet, Chrome Plated solid brass construction. 1.0 GPM @ 60 PSI Water Conserving Pre-Rinse Spray Valve. 2-3/8" Metal Lever handle(s) with Eight Point Tapered Broach and Secured Blue and Red Buttons. Quatern™ rebuildable compression cartridge, opens and closes 90°, closes with water pressure, features square tapered stem. 3 1/2" Inlet Tee Connection with 1/4" NPT Check Stop Tailpieces. 23" Riser with Spring Guide. 44" Flexible Stainless Steel Hose. Pipe Strap and Hook Assembly. Secondary Control Valve: 9-1/2" Center to Center L Type Swing Spout. Full Flow Quixtop with Single Screen Design Outlet. 2-3/8" Metal Lever handle(s) with Eight Point Tapered Broach and Secured White Button. Quatern™ rebuildable compression cartridge, opens and closes 90°, closes with water pressure, features square tapered stem. This product is tested and certified to industry standards: ASME A112.18.1/CSA B125.1, and Certified to NSF/ANSI 61, Section 9 by CSA.



Operation and Maintenance

Installation should be in accordance with local plumbing codes. Flush all pipes thoroughly before installation. After installation, remove spout outlet or flow control and flush faucet thoroughly to clear any debris. Care should be taken when cleaning the product. Do not use abrasive cleaners, chemicals or solvents as they can result in surface damage. Use mild soap and warm water for cleaning and protecting the life of Chicago Faucet products. For specific operation and maintenance refer to the installation instructions and repair parts documents that are located at www.chicagofaucets.com.

Chicago Faucets, member of the Geberit Group, is the leading brand of commercial faucets and fittings in the United States, offering a complete range of products for schools, laboratories, hospitals, office buildings, food service, airports and sport facilities. Call 1.800.TECTRUE or 1.847.803.5000 Option 1 for installation or other technical assistance.

