

HA8AE3VPJKCP

High Rise Rigid/Swing Spout

PRODUCT TYPE

High Rise Rigid/Swing Spout

FEATURES & SPECIFICATIONS

- Polished chrome plated finish
- Solid brass body construction
- 8" C-C high rise rigid/swing spout, catalog #HA8A
- 2.2 GPM (8.3 L/min) pressure compensating, vandal-resistant aerator outlet, catalog #E3VP
- 10" height to top of spout
- 7 5/8" height to outlet
- 8" inlet to outlet projection
- Fits 1 1/16" - 18 UNEF male thread body outlet

PERFORMANCE SPECIFICATION

- Rated Supply Pressure: 20-125 PSI
- Rated Operating Temperature: 40-140° F

WARRANTY

- Lifetime Limited Faucet Warranty
- 1-Year Limited Finish Warranty

COMPLIANT TO

- ASME A112.18.1M
- CSA B125
- NSF 61, Sec. 9

Job Name	_____
Item Number	_____
Section/Tag	_____
Model Specified	_____
Architect	_____
Engineer	_____
Contractor	_____
<input type="checkbox"/> Submitted as Shown	<input type="checkbox"/> Submitted with Variations
Date	_____



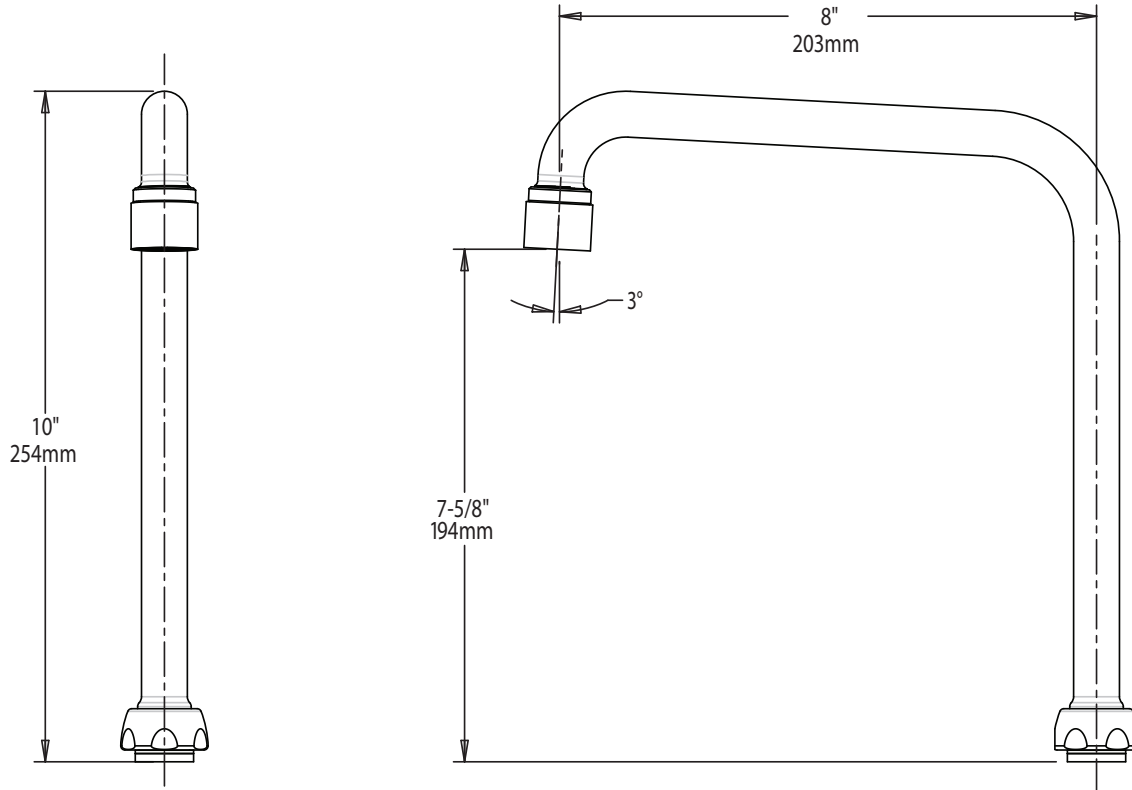
HA8AE3VPJKCP

High Rise Rigid/Swing Spout

**CHICAGO
FAUCETS**
a Geberit company

ARCHITECT/ENGINEER SPECIFICATION

Chicago Faucets No. HA8AE3VPJKCP, polished chrome plated, solid brass spout. 8" C-C high rise rigid/swing spout. 2.2 GPM pressure compensating, vandal resistant aerator outlet. 10" height to top of spout, 7 5/8" height to outlet, 8" inlet to outlet projection. Fits 1 1/16" - 18 UNEF male thread body outlet. This product is tested and certified to industry standards: ASME A112.18.1M, NSF 61, Sec. 9, and CSA B125.



OPERATION AND MAINTENANCE

Installation should be in accordance with local plumbing codes. Flush all pipes thoroughly before installation. After installation, remove spout outlet or flow control and flush faucet thoroughly to clear any debris. Care should be taken when cleaning this product. Do not use abrasive cleaners, chemicals, or solvents as they can result in surface damage. Use mild soap and warm water for cleaning and protecting the life of Chicago Faucet products. For specific operation and maintenance refer to the installation instructions and repair parts documents that are located at www.chicagofaucets.com.

Chicago Faucets, a member of the Geberit Group, is the leading brand of commercial faucets and fittings in the United States, offering a complete range of products for schools, laboratories, hospitals, office buildings, food service, airports, and sport facilities. Call 1.800.TECTRUE or 1.847.803.5000 Option 1 for installation or other technical assistance.



2100 South Clearwater Drive
Des Plaines, IL 60018
P: 847/803-5000
F: 847/803-5454
Technical: 800/TEC-TRUE
www.chicagofaucets.com